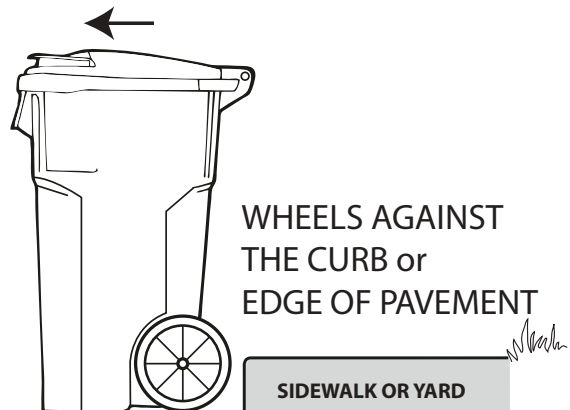
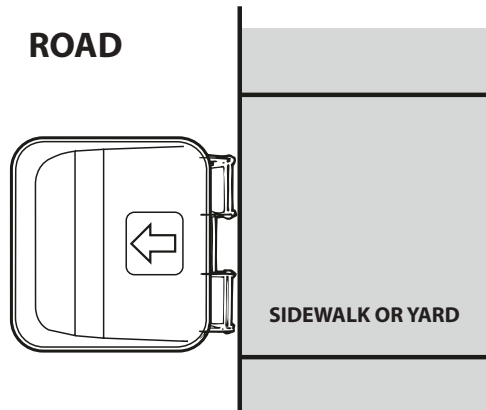




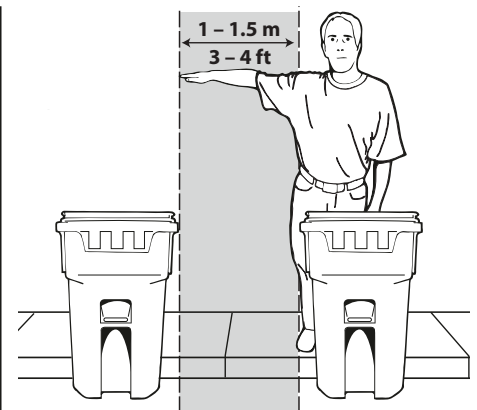
When taking out the trash, remember to:



Park it



Point it



Space it

Cart Ownership

The carts are the property of the City and will be replaced as they reach the end of their life cycle. The City will assign the carts to each property. A serial number identifies the property to which the carts belong. If you move, the cart remains with the property for the next resident.

Cart Storage

Wherever it is convenient: outside a door, in a garage or carport, or some other easy-to-reach location.

Cart Placement

For most residents, carts should be placed on the street, with the wheels against the curb, if there is one, or just off the road, on the shoulder. On collection day, the carts are wheeled to the street for collection.

Cart Maintenance

Residents will be responsible for routine maintenance such as cleaning the carts, removing them from the street after collection and storing them in a safe place. The carts carry a 10-year warranty and the City will take care of any warranty repairs. Any stolen carts or those damaged through neglect or misuse will be replaced at the property owner's expense.

Physical Limitations

Some residents living with a disability may find it difficult to take their carts out. For those who apply for and are granted an exemption based on a disability, City crews will move the carts on their behalf at no additional cost. However, if other people in the household are capable of rolling the cart to the street, this service will not be offered. Forms for this service can be picked up at City Hall or downloaded from the City's website.